



# ROCHESTER

— *Minnesota* —



DEPARTMENT OF PUBLIC WORKS  
4001 West River Parkway NW, Suite 100  
Rochester, MN 55904-3740  
(507) 328-2400  
FAX #(507) 328-2401

## MANHOLE VACUUM AND PRESSURE TEST

\_\_\_\_\_

Date

\_\_\_\_\_

Consultant or Engineer

\_\_\_\_\_

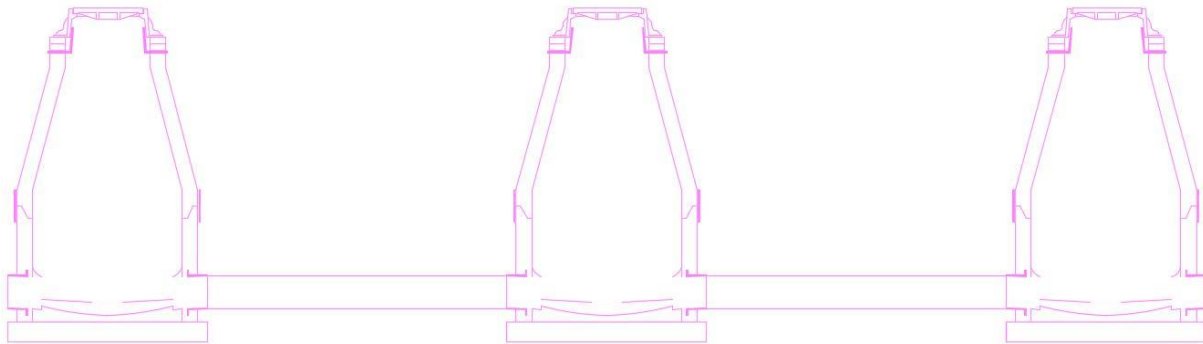
Project Name

\_\_\_\_\_

Project Numbers

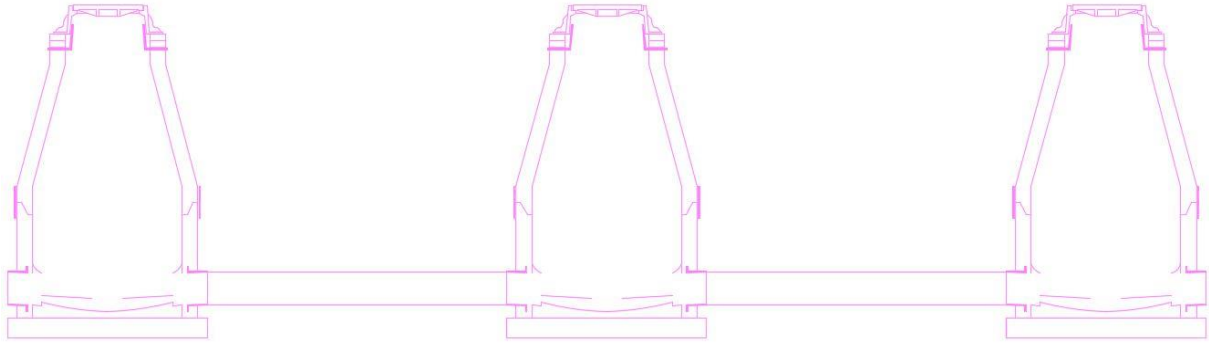
\_\_\_\_\_

Submitted By



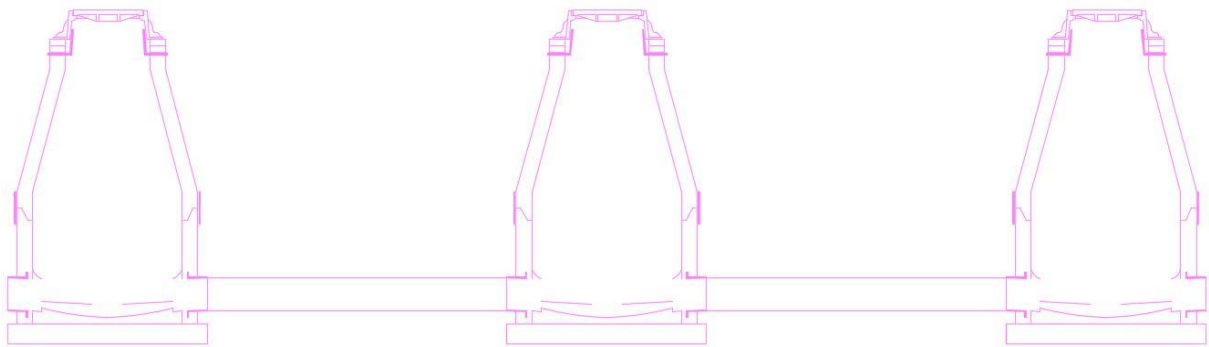
|                     |                         |                     |                         |                     |
|---------------------|-------------------------|---------------------|-------------------------|---------------------|
| _____               | _____                   | _____               | _____                   | _____               |
| STRUCTURE ID        | INITIAL DEFLECTION TEST | STRUCTURE ID        | INITIAL DEFLECTION TEST | STRUCTURE ID        |
| _____               | _____                   | _____               | _____                   | _____               |
| VACUUM TEST         | PRESSURE TEST           | VACUUM TEST         | PRESSURE TEST           | VACUUM TEST         |
| _____               | _____                   | _____               | _____                   | _____               |
| TUCK POINTED        | 30 DAY DEFLECTION TEST  | TUCK POINTED        | 30 DAY DEFLECTION TEST  | TUCK POINTED        |
| _____               | _____                   | _____               | _____                   | _____               |
| SITE REPRESENTATIVE | SITE REPRESENTATIVE     | SITE REPRESENTATIVE | SITE REPRESENTATIVE     | SITE REPRESENTATIVE |

Comments:



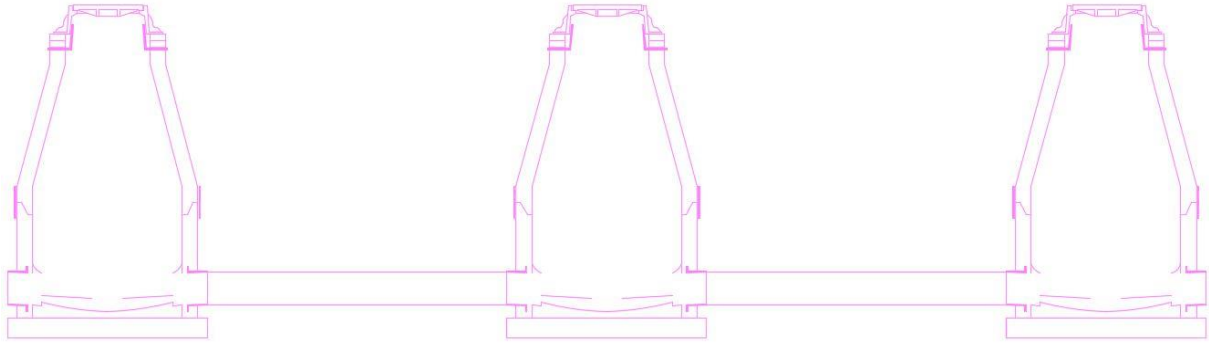
|                     |                         |                     |                         |                     |
|---------------------|-------------------------|---------------------|-------------------------|---------------------|
| STRUCTURE ID        | INITIAL DEFLECTION TEST | STRUCTURE ID        | INITIAL DEFLECTION TEST | STRUCTURE ID        |
| VACUUM TEST         | PRESSURE TEST           | VACUUM TEST         | PRESSURE TEST           | VACUUM TEST         |
| TUCK POINTED        | 30 DAY DEFLECTION TEST  | TUCK POINTED        | 30 DAY DEFLECTION TEST  | TUCK POINTED        |
| SITE REPRESENTATIVE | SITE REPRESENTATIVE     | SITE REPRESENTATIVE | SITE REPRESENTATIVE     | SITE REPRESENTATIVE |

Comments:



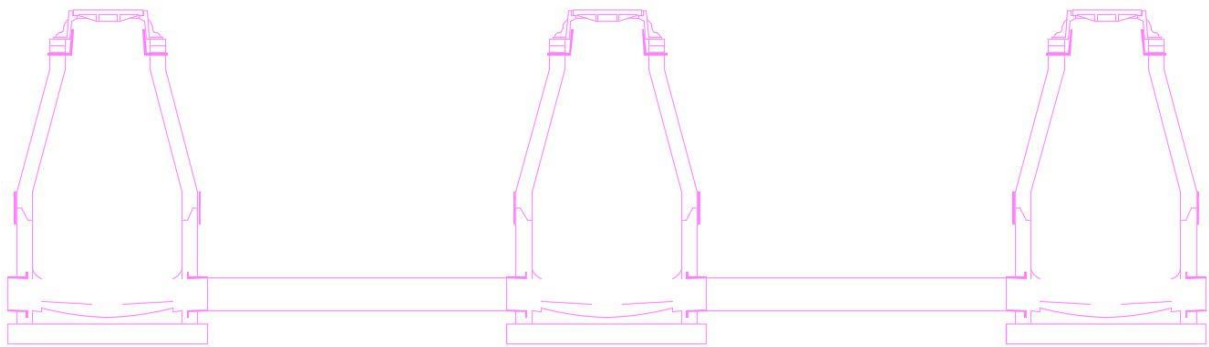
|                     |                         |                     |                         |                     |
|---------------------|-------------------------|---------------------|-------------------------|---------------------|
| STRUCTURE ID        | INITIAL DEFLECTION TEST | STRUCTURE ID        | INITIAL DEFLECTION TEST | STRUCTURE ID        |
| VACUUM TEST         | PRESSURE TEST           | VACUUM TEST         | PRESSURE TEST           | VACUUM TEST         |
| TUCK POINTED        | 30 DAY DEFLECTION TEST  | TUCK POINTED        | 30 DAY DEFLECTION TEST  | TUCK POINTED        |
| SITE REPRESENTATIVE | SITE REPRESENTATIVE     | SITE REPRESENTATIVE | SITE REPRESENTATIVE     | SITE REPRESENTATIVE |

Comments:



|                     |                         |                     |                         |                     |
|---------------------|-------------------------|---------------------|-------------------------|---------------------|
| STRUCTURE ID        | INITIAL DEFLECTION TEST | STRUCTURE ID        | INITIAL DEFLECTION TEST | STRUCTURE ID        |
| VACUUM TEST         | PRESSURE TEST           | VACUUM TEST         | PRESSURE TEST           | VACUUM TEST         |
| TUCK POINTED        | 30 DAY DEFLECTION TEST  | TUCK POINTED        | 30 DAY DEFLECTION TEST  | TUCK POINTED        |
| SITE REPRESENTATIVE | SITE REPRESENTATIVE     | SITE REPRESENTATIVE | SITE REPRESENTATIVE     | SITE REPRESENTATIVE |

Comments:



|                     |                         |                     |                         |                     |
|---------------------|-------------------------|---------------------|-------------------------|---------------------|
| STRUCTURE ID        | INITIAL DEFLECTION TEST | STRUCTURE ID        | INITIAL DEFLECTION TEST | STRUCTURE ID        |
| VACUUM TEST         | PRESSURE TEST           | VACUUM TEST         | PRESSURE TEST           | VACUUM TEST         |
| TUCK POINTED        | 30 DAY DEFLECTION TEST  | TUCK POINTED        | 30 DAY DEFLECTION TEST  | TUCK POINTED        |
| SITE REPRESENTATIVE | SITE REPRESENTATIVE     | SITE REPRESENTATIVE | SITE REPRESENTATIVE     | SITE REPRESENTATIVE |

Comments: